



LTPC[®]
恒敏灵通气动

宁波恒敏灵通气动成套有限公司

NINGBO HENGMIN LINGTONG PNEUMATIC COMPONENTS&SET CO.,LTD

地址:浙江省宁波市溪口镇公棠工业区 P. C: 315501

ADD: Gongtang Industrial Zone, Xikou, Ningbo, Zhejiang, China

TEL: +86-574-88850982

FAX: +86-574-88853982

Http://www.ltqd.com

E-mail: sales@ltqd.com



官网



公众号

www.ltqd.com

2019



100系列电磁阀、气控阀/100 Series Solenoid Valve、Pneumatic Control Valve

订购代码/Ordering Code

4V

规格代码
Specification Code
4V:二(三)位五通电磁阀
4V:Two(Three)-Position
Five-Way Solenoid Valve
4A:二(三)位五通气控阀
4A:Two(Three)-Position
Five-Way Pneumatic Valve
3V:二位三通电磁阀
3V:Two-Position Three-Way
Solenoid Valve
3A:二位三通气控阀
3A:Two-Position Three-Way
Pneumatic Valve

1

系列代码
Series Code
100系列
100Series

10

线圈及位数
Coil and Places
10:单头双位置
10:Single-Coil Double-Position
20:双头双位置
20:Double-Coil Double-Position
30C:双头三位置封闭型
30C:Double-Coil Three-Position Close Type
30E:双头三位置排气型
30E:Double-Coil Three-Position Exhaust Type
30P:双头三位置压力型
30P:Double-Coil Three-Position Pressure Type

06

接管口径
Port Size
06:G1/8"

AC220V

标准电压
Standard Voltage
DC12V
DC24V
AC24V 50/60Hz
AC110V 50/60Hz
AC220V 50/60Hz
AC380V 50/60Hz



4V110-06



4V120-06



4V130C-06



4A110-06



4A120-06

规格/Specification

| | |
|--|--|
| 型号/Model | 3V110-M5 3V120-M5 3V110-06 3V120-06 4V110-M5 4V120-M5 4V130C-M5 4V130E-M5 4V130P-M5 4V110-06 4V120-06 4V130C-06 4V130E-06 4V130P-06 3A110-M5 3A120-M5 3A110-06 3A120-06 4A110-M5 4A120-M5 4A130C-M5 4A130E-M5 4A130P-M5 4A110-06 4A120-06 4A130C-06 4A130E-06 4A130P-06 |
| 工作介质/Working Medium | 经40微米过滤的空气/40 Micron Filtered Air |
| 动作方式/Operating Method | 内部先导式/Internal Pilot Type |
| 接管口径/Port Size | 进气=排气=M5×0.8 Air Inlet=Air Outlet =Air Exhaust=M5×0.8 进气=排气=G1/8 Air Inlet=Air Outlet =Air Exhaust=G1/8 进气=排气=M5×0.8 Air Inlet=Air Outlet=Air Exhaust=M5×0.8 进气=排气=G1/8 Air Inlet=Air Outlet=Air Exhaust=G1/8 |
| 位置数/The Position Counting | 二位三通/Two-Position Three-Way 二位五通 Two-Position Five-Way 三位五通 Three-Position Five-Way 二位五通 Two-Position Five-Way 三位五通 Three-Position Five-Way |
| 工作压力/Working Pressure | 0.15-0.8Mpa |
| 最大耐压力/Max. Pressure Resistance | 1.2Mpa |
| 工作温度/Working Temperature | -5-50°C(41-122°F) |
| 耗电量/Power Consumption | AC:3.0VA DC:2.5W |
| 电压范围/Voltage Range | ±10% |
| 绝缘性及保护等级/ Insulation/Protection Class | F级 IP65 (DIN40050) / F Class IP65 (DIN40050) |
| 接线形式/Wire Form | 出线式或端子式/Lead Wire or Connector Type |
| 最高动作频率/Max Action Frequency | 每秒5次/5 Cycle/Sec 每秒3次/3 Cycle/Sec 每秒5次/5 Cycle/Sec 每秒3次/3 Cycle/Sec |
| 最短励磁时间/Shortest Excitation Time | 0.05秒/0.05 Second |

200系列电磁阀、气控阀/200 Series Solenoid Valve、Pneumatic Control Valve
 **订购代码/Ordering Code**

| | | | | |
|---|--|--|--|--|
| 4V | 2 | 10 | 08 | AC220V |
| 规格代码 Specification Code 4V:二(三)位五通电磁阀 4V:Two(Three)-Position Five-Way Solenoid Valve 4A:二(三)位五通气控阀 4A:Two(Three)-Position Five-Way Pneumatic Valve 3V:二位三通电磁阀 3V:Two-Position Three-Way Solenoid Valve 3A:二位三通气控阀 3A:Two-Position Three-Way Pneumatic Valve | 系列代码 Series Code 200系列 200Series | 线圈及位数 Coil and Places 10:单头双位置 10:Single-Coil Double-Position 20:双头双位置 20:Double-Coil Double-Position 30C:双头三位位置封闭型 30C:Double-Coil Three-Position Close Type 30E:双头三位位置排气型 30E:Double-Coil Three-Position Exhaust Type 30P:双头三位位置压力型 30P:Double-Coil Three-Position Pressure Type | 接管口径 Port Size 06:G1/8" 08:G1/4" | 标准电压 Standard Voltage DC12V DC24V AC24V 50Hz/60Hz AC110V 50Hz/60Hz AC220V 50Hz/60Hz AC380V 50Hz/60Hz |


4V210-08
4V220-08
4V230C-08
4A230C-08
 **规格/Specification**

| | | | | | | | | | | | | | | |
|--|---|----------|----------|--|-------------------------------|--|---------------------------------|-----------|-------------------------------|--|----------|---------------------------------|-----------|-----------|
| 型号/Model | 3V210-06 | 3V220-06 | 3V210-08 | 3V220-08 | 4V210-06 | 4V220-06 | 4V230C-06 | 4V230E-06 | 4V230P-06 | 4V210-08 | 4V220-08 | 4V230C-08 | 4V230E-08 | 4V230P-08 |
| | 3A210-06 | 3A220-06 | 3A210-08 | 3A220-08 | 4A210-06 | 4A220-06 | 4A230C-06 | 4A230E-06 | 4A230P-06 | 4A210-08 | 4A220-08 | 4A230C-08 | 4A230E-08 | 4A230P-08 |
| 工作介质/Working Medium | 经40微米过滤的空气/40 Micron Filtered Air | | | | | | | | | | | | | |
| 动作方式/Operating Method | 内部先导式/Internal Pilot Type | | | | | | | | | | | | | |
| 接管口径/Port Size | 进气=出气=排气=G1/8" Air Inlet=Air Outlet =Air Exhaust=G1/8" | | | 进气=出气=G1/4" 排气=G1/8" Air Inlet=Air Outlet =G1/4" Air Exhaust=G1/8" | | 进气=出气=排气=G1/8" Air Inlet=Air Outlet=Air Exhaust=G1/8" | | | | 进气=出气=G1/4" 排气=G1/8" Air Inlet=Air Outlet=G1/4" Air Exhaust=G1/8" | | | | |
| 位置数/The Position Counting | 二位三通/Two-Position Three-Way | | | | 二位五通 Two-Position Five-Way | | 三位五通 Three-Position Five-Way | | 二位五通 Two-Position Five-Way | | | 三位五通 Three-Position Five-Way | | |
| 有效截面积/Effective Sectional Area | | | | | | | | | | | | | | |
| 工作压力/Working Pressure | 0.15-0.8Mpa | | | | | | | | | | | | | |
| 最大耐压力/Max. Pressure Resistance | 1.2Mpa | | | | | | | | | | | | | |
| 工作温度/Working Temperature | -5-50°C(41-122°F) | | | | | | | | | | | | | |
| 耗电量/Power Consumption | AC380V:2.50VA . AC220V:2.0VA .AC110V:2.5VA .AC24V:3.5VA . DC24V:3.0W. DC12V:2.5W. | | | | | | | | | | | | | |
| 电压范围/Voltage Range | ±10% | | | | | | | | | | | | | |
| 绝缘性及保护等级/ Insulation & Protection Class | F级 IP65 (DIN40050) /F Class IP65 (DIN40050) | | | | | | | | | | | | | |
| 接线形式/Wire Form | 出线式或端子式/Lead Wire or Connector Type | | | | | | | | | | | | | |
| 最高动作频率/Max Action Frequency | 每秒5次/5 Cycle/Sec | | | | 每秒3次/3 Cycle/Sec | | | | 每秒5次/5 Cycle/Sec | | | 每秒3次/3 Cycle/Sec | | |
| 最短励磁时间/Shortest Excitation Time | 0.05秒/0.05 Second | | | | | | | | | | | | | |

300系列电磁阀、气控阀/300 Series Solenoid Valve、Pneumatic Control Valve

订购代码/Ordering Code

4V

规格代码
Specification Code
4V:二(三)位五通电磁阀
4V:Two(Three)-Position
Five-Way Solenoid Valve
4A:二(三)位五通气控阀
4A:Two(Three)-Position
Five-Way Pneumatic Valve
3V:二位三通电磁阀
3V:Two-Position Three-Way Solenoid Valve
3A:二位三通气控阀
3A:Two-Position Three-Way Pneumatic Valve

3

系列代码
Series Code
300系列
300Series

10

线圈及位数
Coil and Places
10:单头双位置
10:Single-Coil Double-Position
20:双头双位置
20:Double-Coil Double-Position
30C:双头三位位置封闭型
30C:Double-Coil Three-Position Close Type
30E:双头三位位置排气型
30E:Double-Coil Three-Position Exhaust Type
30P:双头三位位置压力型
30P:Double-Coil Three-Position Pressure Type

10

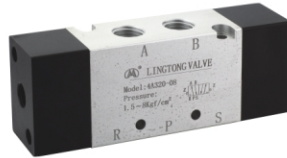
接管口径
Port Size
08:G1/4"
10:G3/8"

AC220V

标准电压
Standard Voltage
DC12V
DC24V
AC24V 50Hz/60Hz
AC110V 50Hz/60Hz
AC220V 50Hz/60Hz
AC380V 50Hz/60Hz



3V310-10



4A320-10



4V310-10



4V320-10



4V330C-10

规格/Specification

| | |
|--|--|
| 型号/Model | 3V310-08 3V320-08 3V310-10 3V320-10 4V310-08 4V320-08 4V320C-08 4V320E-08 4V320P-08 4V310-10 4V320-10 4V320C-10 4V320E-10 4V320P-10 |
| | 3A310-08 3A320-08 3A310-10 3A320-10 4A310-08 4A320-08 4A320C-08 4A320E-08 4A320P-08 4A310-10 4A320-10 4A320C-10 4A320E-10 4A320P-10 |
| 工作介质/Working Medium | 经40微米过滤的空气/40 Micron Filtered Air |
| 动作方式/Operating Method | 内部先导式/Internal Pilot Type |
| 接管口径/Port Size | 进气=排气=排气=G1/4" Air Inlet=Air Outlet =Air Exhaust=G1/4" 进气=排气=G3/8" 排气=G1/4" Air Inlet=Air Outlet =G1/4" Air Exhaust=G1/8" 进气=排气=排气=G1/4" Air Inlet=Air Outlet=Air Exhaust=G1/4" 进气=排气=G3/8" 排气=G1/4" Air Inlet=Air Outlet=G1/4" Air Exhaust=G1/8" |
| 位置数/The Position Counting | |
| 有效截面积/Effective Sectional Area | 二位三通/Two-Position Three-Way 二位五通 Two-Position Five-Way 三位五通 Three-Position Five-Way 二位五通 Two-Position Five-Way 三位五通 Three-Position Five-Way |
| 工作压力/Working Pressure | 0.15-0.8Mpa |
| 最大耐压力/Max.Pressure Resistance | 1.2Mpa |
| 工作温度/Working Temperature | -5-50°C(41-122°F) |
| 耗电量/Power Consumption | AC380V:2.50VA . AC220V:2.0VA .AC110V:2.5VA .AC24V:3.5VA . DC24V:3.0W. DC12V:2.5W. |
| 电压范围/Voltage Range | -15%~+10% |
| 绝缘性及保护等级/ Insulation & Protection Class | F级 IP65 (DIN40050) /F Class IP65 (DIN40050) |
| 接线形式/Wire Form | 出线式或端子式/Lead Wire or Connector Type |
| 最高动作频率/Max Action Frequency | 每秒5次/5 Cycle/Sec 每秒3次/3Cycle/Sec 每秒5次/5 Cycle/Sec 每秒3次/3Cycle/Sec |
| 最短励磁时间/Shortest Excitation Time | 0.05秒/0.05 Second |

400系列电磁阀、气控阀/400 Series Solenoid Valve、Pneumatic Control Valve
 **订购代码/Ordering Code**
4V

规格代码
Specification Code
4V:二(三)位五通电磁阀
4V:Two(Three)-Position
Five-Way Solenoid Valve
4A:二(三)位五通气控阀
4A:Two(Three)-Position
Five-Way Pneumatic Valve
3V:二位三通电电磁阀
3V:Two-Position Three-Way Solenoid Valve
3A:二位三通气控阀
3A:Two-Position Three-Way Pneumatic Valve

4

系列代码
Series Code
400系列
400Series

10

线圈及位数
Coil and Places
10:单头双位置
10:Single-Coil Double-Position
20:双头双位置
20:Double-Coil Double-Position
30C:双头三位置封闭型
30C:Double-Coil Three-Position Close Type
30E:双头三位置排气型
30E:Double-Coil Three-Position Exhaust Type
30P:双头三位置压力型
30P:Double-Coil Three-Position Pressure Type

15

接管口径
Port Size
15:G1/2

AC220V

标准电压
Standard Voltage
DC12V
DC24V
AC24V 50Hz 60Hz
AC110V 50Hz 60Hz
AC220V 50Hz 60Hz
AC380V 50Hz 60Hz


4V410-15

4V420-15

4V430C-15
 **规格/Specification**

| | | | | | | | |
|--|---|----------|-----------------------------|----------|------------------------------|-----------|-----------|
| 型号/Model | 3V410-15 | 3V420-15 | 4V410-15 | 4V420-15 | 4V430C-15 | 4V430E-15 | 4V430P-15 |
| | 3A410-15 | 3A420-15 | 4A410-15 | 4A420-15 | 4A430C-15 | 4A430E-15 | 4A430P-15 |
| 工作介质/Working Medium | 经40微米过滤的空气/40 Micron Filtered Air | | | | | | |
| 动作方式/Operating Method | 内部先导式/Internal Pilot Type | | | | | | |
| 接管口径/Port Size | 进气=出气=排气=G1/2 /Air Inlet=Air Outlet=Air Exhaust=G1/2 | | | | | | |
| 位置数/The Position Counting | 二位三通/Two-Position Three-Way | | 二位五通/Two-Position Five-Way | | 三位五通/Three-Position Five-Way | | |
| 有效截面积/Effective Sectional Area | 50mm ² (Cv=2.79) | | 50mm ² (Cv=2.79) | | 50mm ² (Cv=1.67) | | |
| 工作压力/Working Pressure | 0.15~0.8Mpa | | | | | | |
| 最大耐压力/Max.Pressure Resistance | 1.2Mpa | | | | | | |
| 工作温度/Working Temperature | -5~50° C(41~122°F) | | | | | | |
| 耗电量/Power Consumption | AC380V:2.50VA . AC220V:2.0VA .AC110V:2.5VA .AC24V:3.5VA . DC24V:3.0W. DC12V:2.5W. | | | | | | |
| 电压范围/Voltage Range | -15%~+10% | | | | | | |
| 绝缘性及保护等级/ Insulation & Protection Class | F级 IP65 (DIN40050) /F Class IP65 (DIN40050) | | | | | | |
| 接线形式/Wire Form | 出线式或端子式/Lead Wire or Connector Type | | | | | | |
| 最高动作频率/Max Action Frequency | 每秒3次/3Cycle/Sec | | | | | | |
| 最短励磁时间/Shortest Excitation Time | 0.05秒/0.05 Second | | | | | | |

4M系列板式电磁阀/4M Series Namur Valve

订购代码/Ordering Code

4M

二位五通电磁阀
Specification: Two-
Position Five-Way
Namur Valve

2

系列代码
Series Code

10

线圈及位数
Coil and Places
10:单头双位置
10:Single-Coil Double-Positon
20:双头双位置
20:Double-Coil Double-Positon

06

接管口径
Port Size
06:G1/8"
08:G1/4"
10:G3/8"
15:G1/2"

AC110V

标准电压
Standard Voltage
DC12V
DC24V
AC24V 50/60Hz
AC110V 50/60Hz
AC220V 50/60Hz
AC380V 50/60Hz



4M220-06



4M220-06

规格/Specification

| 型号/Model | 4M210-06 | 4M220-06 | 4M210-08 | 4M220-08 | 4M310-08 | 4M320-08 | 4M310-10 | 4M320-10 | 4M410-15 | 4M420-15 |
|--|--|--|--|--|--|----------|----------|----------|----------|----------|
| 工作介质/Working Medium | 经40微米过滤的空气/40 Micron Filtered Air | | | | | | | | | |
| 动作方式/Operating Method | 内部先导式/Internal Pilot Type | | | | | | | | | |
| 位置数/The Position Counting | 二位五通/Two-Position Five-Port | | | | | | | | | |
| 有效截面积/Effective Sectional Area | 14mm ² (Cv=0.78) | 16mm ² (Cv=0.89) | 25mm ² (Cv=1.39) | 30mm ² (Cv=1.67) | 50mm ² (Cv=2.79) | | | | | |
| 接管口径/Port Size | 进气=排气=G1/8 Air Inlet=Air Exhaust=G1/8 | 进气=G1/4 排气=G1/8 Air Inlet=G1/4 Air Exhaust=G1/8 | 进气=排气=G1/4 Air Inlet=Air Exhaust=G1/4 | 进气=G3/8 排气=G1/4 Air Inlet=G3/8 Air Exhaust=G1/4 | 进气=排气=G1/2 Air Inlet=Air Exhaust=G1/2 | | | | | |
| 润滑/Lubricant | 需要/Need | | | | | | | | | |
| 工作压力/Working Pressure | 0.15-0.8Mpa | | | | | | | | | |
| 最大耐压/Max. Pressure Resistance | 1.2Mpa | | | | | | | | | |
| 工作温度/Working Temperature | -5-60℃(-41-140°F) | | | | | | | | | |
| 电压范围/Voltage Range | -15% ~ +10% | | | | | | | | | |
| 耗电量/Power Consumption | AC380V:2.5VA、AC220V:2.0VA、AC110V:2.5VA、AC24V:3.5VA、DC24V:3.0W、DC12V:2.5W | | | | | | | | | |
| 绝缘性及保护等级/ Insulation & Protection Class | F级 IP65 (DIN40050) / F Class IP65 (DIN40050) | | | | | | | | | |
| 接电型式/Wire Form | 直接出线或端子式/Lead Wire or Connector Type | | | | | | | | | |
| 最高动作频率/Max Action Frequency | 每秒五次/5Cycle/Sec | | | | | | | | | |
| 最短励磁时间/Shortest Excitation Time | 0.05秒/0.05 Second | | | | | | | | | |

LTV/A520系列压铸电磁阀、气控阀/LTV/A520 Series Solenoid Valve、Pneumatic Control Valve
 **订购代码/Ordering Code**

| | | | | | | |
|----------------------|---|--|---------------------|---|--------------------------------|---|
| LT | V | 5 | 2 | 1 | 08 | AC110V |
| 公司名称 Company Name | V:电磁阀 V:Solenoid Valve A:气控阀 A:Pneumatic Control Valve | 规格代码 Specification 五通 Five Port | 系列代码 Series Code | 线圈及位数 Coil and Places 1:单头双位置 2:双头双位置 3C:双头三位位置封闭型 3E:双头三位位置排气型 3P:双头三位位置压力型 1:Single-Coil Double-Position 2:Double-Coil Double-Position 3C:Double-Coil Three-Position Close Type 3E:Double-Coil Three-Position Exhaust Type 3P:Double-Coil Three-Position Pressure Type | 接管口径 Port Size 08: G1/4" | 标准电压 Standard Voltage DC12V DC24V AC24V 50/60Hz AC110V 50/60Hz AC220V 50/60Hz AC380V 50/60Hz |


LTA521-08

LTV521-08

LTV522-08

 **规格/Specification**

| | | | | | |
|---------------------------------|---|-----------|------------------------------|------------|------------|
| 型号/Model | LTV521-08 | LTV522-08 | LTV523C-08 | LTV523E-08 | LTV523P-08 |
| | LTA521-08 | LTA522-08 | LTA523C-08 | LTA523E-08 | LTA523P-08 |
| 工作介质/Working Medium | 经40微米过滤的空气/40 Micron Filtered Air | | | | |
| 动作方式/Acting Type | 内部先导式/Internal Pilot Type | | | | |
| 接管口径/Port Size | 进气=出气=1/4" 排气=1/8"/Air Inlet=Air Outlet=1/4" Air Exhaust=1/8" | | | | |
| 位置数/The Position Counting | 二位五通/Two-Position Five-Way | | 三位五通/Three-Position Five-Way | | |
| 工作温度/Working Temperature | -5~60℃ | | | | |
| 有效截面积/Sectional Area | 16mm ² (Cv=0.89) | | 12mm ² (Cv=0.67) | | |
| 工作压力/Working Pressure | 0.15~0.8Mpa | | | | |
| 最大耐压力/Max. Pressure Resistance | 1.2Mpa | | | | |
| 保护等级/Protection Class | IP65 | | | | |
| 最高动作频率/Max. Action Frequency | 每秒5次/5 Cycles/Second | | 每秒3次/3 Cycles/Second | | |
| 电压范围/Voltage Range | -15% ~ +10% | | | | |
| 最短励磁时间/Shortest Excitation Time | 0.05秒/0.05 Second | | | | |

LTV/A530系列压铸电磁阀、气控阀/LTV/A530 Series Solenoid Valve、Pneumatic Control Valve

订购代码/Ordering Code

| | | | | | | |
|----------------------|---|---|---------------------|--|-------------------------------|---|
| LT | V | 5 | 3 | 1 | 10 | AC220V |
| 公司名称 Company Name | V:电磁阀 V:Solenoid Valve A:气控阀 A:Pneumatic Control Valve | 规格代码 Specification 五通 Five Way | 系列代码 Series Code | 线圈及位数 Coil and Places 1:单头双位置 2:双头双位置 3C:双头三位置封闭型 3E:双头三位置排气型 3P:双头三位置压力型 1:Single-Coil Double-Position 2: Double-Coil Double-Position 3C: Double-Coil Three-Position Close Type 3E: Double-Coil Three-Position Exhaust Type 3P: Double-Coil Three-Position Pressure Type | 接管口径 Port Size 10:G3/8" | 标准电压 Standard Voltage DC12V DC24V AC24V 50/60Hz AC110V 50/60Hz AC220V 50/60Hz AC380V 50/60Hz |



LTA531-10



LTV531-10



LTV532-10



规格/Specification

| | | | | | |
|---------------------------------|---|-----------|------------------------------|------------|------------|
| 型号/Model | LTV531-10 | LTV532-10 | LTV533C-10 | LTV533E-10 | LTV533P-10 |
| | LTA531-10 | LTA532-10 | LTA533C-10 | LTA533E-10 | LTV533P-10 |
| 工作介质/Working Medium | 经40微米过滤的空气/40 Micron Filtered Air | | | | |
| 动作方式/Acting Type | 内部先导式/Internal Pilot Type | | | | |
| 接管口径/Port Size | 进气=出气=3/8" 排气=1/4"/Air Inlet=Air Outlet=3/8" Air Exhaust=1/4" | | | | |
| 位置数/The Position Counting | 二位五通/Two-Position Five-Way | | 三位五通/Three-Position Five-Way | | |
| 工作温度/Working Temperature | -5~60℃ | | | | |
| 有效截面积/Sectional Area | 30mm ² (Cv=1.67) | | 18mm ² (Cv=1) | | |
| 工作压力/Working Pressure | 0.15~0.8Mpa | | | | |
| 最大耐压力/Max. Pressure Resistance | 1.2Mpa | | | | |
| 保护等级/Protection Class | IP65 | | | | |
| 最高动作频率/Max. Action Frequency | 每秒5次/5 Cycles/Second | | 每秒3次/3 Cycles/Second | | |
| 电压范围/Voltage Range | -15% ~ +10% | | | | |
| 最短励磁时间/Shortest Excitation Time | 0.05秒/0.05 Second | | | | |

LTV/A540系列压铸电磁阀、气控阀/LTV/A540 Series Solenoid Valve、Pneumatic Control Valve
 **订购代码/Ordering Code**

| | | | | | | |
|----------------------|---|---|---------------------|---|-------------------------------|---|
| LT | V | 5 | 4 | 1 | 15 | AC220V |
| | | | | | | |
| 公司名称 Company Name | V:电磁阀 V:Solenoid Valve A:气控阀 A:Pneumatic Control valve | 规格代码 Specification 五通 Five Way | 系列代码 Series Code | 线圈及位数 Coil and Places 1:单头双位置 2:双头双位置 3C:双头三位置封闭型 3E:双头三位置排气型 3P:双头三位置压力型 1: Single-Coil Double-Position 2: Double-Coil Double-Position 3C: Double-Coil Three-Position Close Type 3E: Double-Coil Three-Position Exhaust Type 3C: Double-Coil Three-Position Pressure Type | 接管口径 Port Size 15:G1/2" | 标准电压 Standard Voltage DC12V DC24V AC24V 50/60Hz AC110V 50/60Hz AC220V 50/60Hz AC380V 50/60Hz |


LTA541-15

LTV541-15

LTV542-15

 **规格/Specification**

| | | | | | |
|---------------------------------|---|-----------|------------------------------|------------|------------|
| 型号/Model | LTV541-15 | LTV542-15 | LTV543C-15 | LTV543E-15 | LTV543P-15 |
| | LTA541-15 | LTA542-15 | LTA543C-15 | LTA543E-15 | LTV543P-15 |
| 工作介质/Working Medium | 经40微米过滤的空气/40 Micron Filtered Air | | | | |
| 动作方式/Acting Type | 内部先导式/Internal Pilot Type | | | | |
| 接管口径/Port Size | 进气=出气=排气=1/2"/Air Inlet=Air Outlet=Air Exhaust=1/2" | | | | |
| 位置数/The Position Counting | 二位五通/Two-Position Five-Way | | 三位五通/Three-Position Five-Way | | |
| 工作温度/Working Temperature | -5~60℃ | | | | |
| 有效截面积/Sectional Area | 50mm ² (Cv=2.79) | | 30mm ² (Cv=1.67) | | |
| 工作压力/Working Pressure | 0.15~0.8Mpa | | | | |
| 最大耐压力/Max. Pressure Resistance | 1.2Mpa | | | | |
| 保护等级/Protection Class | IP65 | | | | |
| 最高动作频率/Max. Action Frequency | 每秒3次/3 Cycles/Second | | | | |
| 电压范围/Voltage Range | -15% ~ +10% | | | | |
| 最短励磁时间/Shortest Excitation Time | 0.05秒/0.05 Second | | | | |

LTV/A550系列大通径方向控制阀/LTV/A550 Series Big Flow Control Valve

订购代码/Ordering Code

| | | | | | | |
|----------------------|---|--|---------------------|---|------------------------------|---|
| LT | V | 5 | 5 | 1 | 20 | AC110V |
| 公司名称 Company Name | V:电磁阀 V:Solenoid Valve A:气控阀 A:Pneumatic Control valve | 规格 Specification 五位 Five Port | 系列代码 Series Code | 线圈及位数 Coil and Places 1:单头双位置 2:双头双位置 3C:双头三位位置封闭型 3E:双头三位位置排气型 3P:双头三位位置压力型 1:Single-Coil Double-Position 2: Double-Coil Double-Position 3C: Double-Coil Three-Position Close Type 3E: Double-Coil Three-Position Exhaust Type 3C: Double-Coil Three-Position Pressure Type | 接管口径 Port Size 20:G3/4 | 标准电压 Standard Voltage DC12V DC24V AC24V 50/60Hz AC110V 50/60Hz AC220V 50/60Hz AC380V 50/60Hz |



LTA551-20



LTV551-20



LTV552-20

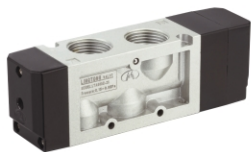


规格/Specification

| | | | | | |
|---------------------------|---|-----------|-------------------------------|------------|------------|
| 型号/Model | LTV551-20 | LTV552-20 | LTV553C-20 | LTV553E-20 | LTV553P-20 |
| | LTA551-20 | LTA552-20 | LTA553C-20 | LTA553E-20 | LTA553P-20 |
| 工作介质/Working Medium | 经40微米过滤的空气/40 Micron Filtered Air | | | | |
| 动作方式/Acting Type | 内部先导式/Internal Pilot Type | | | | |
| 接管口径/Port Size | 进气=排气=3/4" 排气=1/2"/Air Inlet=Air Outlet=3/4" Air Exhaust=1/2" | | | | |
| 位置数/The Position Counting | 二位五通/Two-Position Five-Port | | 三位五通/Three-Position Five-Port | | |
| 工作温度/Working Temperature | -5~60℃ | | | | |
| 有效截面积/Sectional Area | 95mm ² (Cv=5.0) | | 70mm ² (Cv=4.0) | | |
| 工作压力/Working Pressure | 0.15~0.8Mpa | | | | |
| 保护等级/Protection Class | IP65 | | | | |
| 电压范围/Voltage Range | -15% ~ +10% | | | | |

LTV/A560系列大通径方向控制阀/LTV/A560 Series Big Flow Control Valve
 **订购代码/Ordering Code**

| | | | | | | |
|----------------------|---|--|---------------------|--|------------------------------|---|
| LT | V | 5 | 6 | 1 | 25 | AC110V |
| 公司名称 Company Name | V:电磁阀 V:Solenoid Valve A:气控阀 A:Pneumatic Control valve | 规格 Specification 五位 Five Port | 系列代码 Series Code | 线圈及位数 Coil and Places 1:单头双位置 2:双头双位置 3C:双头三位置封闭型 3E:双头三位置排气型 3P:双头三位置压力型 1:Single-Coil Double-Position 2: Double-Coil Double-Position 3C: Double-Coil Three-Position Close Type 3E: Double-Coil Three-Position Exhaust Type 3C: Double-Coil Three-Position Pressure Type | 接管口径 Port Size 25: G1" | 标准电压 Standard Voltage DC12V DC24V AC24V 50/60Hz AC110V 50/60Hz AC220V 50/60Hz AC380V 50/60Hz |


LTA561-25

LTV561-25

LTV562-25

 **规格/Specification**

| | | | | | |
|---------------------------|---|-----------|-------------------------------|------------|------------|
| 型号/Model | LTV561-25 | LTV562-25 | LTV563C-25 | LTV563E-25 | LTV563P-25 |
| | LTA561-25 | LTA562-25 | LTA563C-25 | LTA563E-25 | LTA563P-25 |
| 工作介质/Working Medium | 经40微米过滤的空气/40 Micron Filtered Air | | | | |
| 动作方式/Acting Type | 内部先导式/Internal Pilot Type | | | | |
| 接管口径/Port Size | 进气=出气=G1" 排气=3/4"/Air Inlet=Air Outlet=G1" Air Exhaust=3/4" | | | | |
| 位置数/The Position Counting | 二位五通/Two-Position Five-Port | | 三位五通/Three-Position Five-Port | | |
| 工作温度/Working Temperature | -5~60℃(但未冻结)/(Not Frozen) | | | | |
| 有效截面积/Sectional Area | 110mm ² (Cv=6.0) | | 81mm ² (Cv=4.5) | | |
| 工作压力/Working Pressure | 0.15~0.8Mpa | | | | |
| 保护等级/Protection Class | IP65 | | | | |
| 电压范围/Voltage Range | -15% ~ +10% | | | | |

LTV/A570系列大通径方向控制阀 / LTV/A570 Series Big Flow Control Valve

订购代码/Ordering Code

| | | | | | | | | | | | | |
|----------------------|---|---|---|----------------|---|--------------------|---|---|---|----------------------------------|---|---|
| LT | — | V | — | 5 | — | 7 | — | 1 | — | 32 | — | AC110V |
| | | | | | | | | | | | | |
| 公司名称 Company Name | | V: 电控阀 V: Electric Valve A: 气控阀 A: Pneumatic Valve | | 五口 Five Way | | 系列号 Series Code | | 1: 单头双位置 2: 双头双位置 3C: 双头三位封闭型 3E: 双头三位排气型 3P: 双头三位压力型 1: Single-head Double-position 2: Double-head Double-position 3C: Double-head Three position Close Type 3E: Double-head Three position Exhaust Type 3P: Double-head Three position Pressure Type | | 接管口径 Port Size 32: G1 1/4" | | 标准电压 Standard Voltage DC12V DC24V AC24V 50/60Hz AC110V 50/60Hz AC220V 50/60Hz AC380V 50/60Hz |



LTA571-32



LTV571-32



LTV572-32



LTV573C-32

规格/Specification

| | | | | | |
|--------------------------------|-----------------------------------|-----------|-------------------------------|------------|------------|
| 型号/Model | LTV571-32 | LTV572-32 | LTV573C-32 | LTV573E-32 | LTV573P-32 |
| | LTA571-32 | LTA572-32 | LTA573C-32 | LTA573E-32 | LTA573P-32 |
| 工作介质 /Working Medium | 经40微米过滤的空气/40 Micron Filtered Air | | | | |
| 动作方式/Operating Medium | 内部先导式/Internal Pilot Type | | | | |
| | 外部先导式 External Pilot Type | | | | |
| 接管口径/Joint Pipe Bore | 进气=出气=排气=G1 1/4" | | | | |
| 位置数/The Position Counting | 二位五通/Two-Position Five-Port | | 三位五通/Three-Position Five-Port | | |
| 工作温度/Operating Temperature | -5~60°C(-41~140° F) | | | | |
| 有效截面积/Effective Sectional Area | 140mm ² (Cv=7.6) | | 110mm ² (Cv=6) | | |
| 使用压力/Working Pressure | 1.5~8.0Kgf/cm ² | | | | |
| 保护等级/Protection Class | IP65 | | | | |
| 电压范围/Voltage Range | -15% ~ +10% | | | | |

100-400系列底座/100-400 Series Manifold

AA® 订购代码/Ordering Code

底座订购码: Base Ordering Code

100M

系列代码 Series Code
100M: 100系列用底座
100M: For 100 Series Use
200M: 200系列用底座
200M: For 200 Series Use
300M: 300系列用底座
300M: For 300 Series Use
400M: 400系列用底座
400M: For 400 Series Use

F

连座数目 Joint
100M: 1~20F
200M: 1~20F
300M: 1~20F
400M: 1~20F

配件订购码: Accessary Ordering Code

200M

系列代码 Series Code
100M: 100系列用底座
100M: For 100 Series Use
200M: 200系列用底座
200M: For 200 Series Use
300M: 300系列用底座
300M: For 300 Series Use
400M: 400系列用底座
400M: For 400 Series Use

B

盲板代号 Joint
B: 底座用盲板
B: Blanking Plate
C: 密封垫片
C: Sealing Gasket
D: 连接螺钉
D: Screw



JM系列机械阀 JM Series Mechanical Valve

AA® 订购代码/Ordering Code

JM

规格代码
Specification Code
JM系列(截止式机械阀)
JM Series
(Stop-Type Mechanical Valve)

05

按钮形式
Button Type
05: 选择型旋钮
05: Selective Knob
06: 连锁型按钮
06: With Lock Button
06A: 平圆形按钮
06A: Plat Round Button
07: 滚轮型
07: Roller Type



JM-05



JM-06



JM-06A



JM-07

AA® 规格/Specification

| 型号/Model | JM-05 | JM-06 | JM-06A | JM-07 |
|---------------------------|-----------------------------------|-------|--------|-------|
| 工作介质/Working Medium | 经40微米过滤的空气/40 Micron Filtered Air | | | |
| 位置数/The Position Counting | 二位三通/Two-Position Three-Way | | | |
| 接管口径/Port Size | G1/4" | | | |
| 工作温度/Working Temperature | 0~60℃ | | | |
| 工作压力/Working Pressure | 0~0.8Mpa | | | |

MSV系列机械阀/MSV Series Mechanical Valve

订购代码/Ordering Code

MSV

规格代码
Specification Code
MSV:MSV系列
MSV:MSV Series

86

规格/Model
86:86系列
86:86 Series
98:98系列
98:98 Series

32

位通数
Position and
Way Number
32:二位三通
32:Two-Position
Three-Way
52:二位五通
52:Two-Position
Five-Way

1

接管口径
Port Size
1:G1/8"
2:G1/4"

R

按钮形式/Button Type
空白:基本型
Blank:Basic Type
R:滚轮型
R:Roller Type
TB:选择型旋钮
TB:Selective Knob
LB:加长型旋钮
LB:Strengthened Knob
PB:大圆型按钮
PB:Large Round Button
PP:平圆型按钮
PP:Plat Round Button
PPL:凸圆型按钮
PPL:Convex Round Button
EB:带锁型按钮
EB:With Lock Button



MSV86321TB



MSV86321LB



MSV98322



MSV98322R



TB



LB



PB



PP



PPL



EB



MSV86522



MSV86522R



LB



EB



TB



PB



PPL



PP

规格/Specification

| 型号/Model | MSV86321 | MSV86522 | MSV98322 |
|--------------------------------|-----------------------------------|-----------------------------|------------------------------|
| 工作介质/Working Medium | 经40微米过滤的空气/40 Micron Filtered Air | | |
| 位置数/The Position Counting | 二位三通/Two-Position Three-Port | 二位五通/Two-Position Five-Port | 二位三通/Two-Position Three-Port |
| 接管口径/Port Size | G1/8" | G1/4" | G1/4" |
| 工作温度/Working Temperature | 0~60℃ | | |
| 有效截面积/Effective Sectional Area | 12mm ² (Cv=0.67) | 16mm ² (Cv=0.89) | 16mm ² (Cv=0.89) |
| 工作压力/Working Pressure | 0~0.8Mpa | | |

4H系列手扳阀/4H Series Hand-Pull Valve

订购代码/Ordering Code

4H

规格代码
Specification Code
4H:二(三)位五通手扳阀
4H:Two(Three)-Position
Five-Way Hand-Pull Valve

2

系列代码
Series No
2:200系列
2:200Series
3:300系列
3:300Series
4:400系列
4:400Series

10

位置数
Number of Places
10:单头双位置
10:Single-Head
Double-Position
30:单头三位置
30:Single-Head
Three-Position

06

接管口径
Port Size
06:G1/8"
08:G1/4"
10:G3/8"
15:G1/2"

L

型式代号/Type Code
空白:自动复位型
Blank:Auto Reset Type
L:锁定型
L:Locking Type
S:弹簧复动型
S:Spring double acting type



规格/Specification

| 型号/Model | 4H210-06 | 4H210-08 | 4H230-08 | 4H310-08 | 4H310-10 | 4H330-10 | 4H410-15 | 4H430-15 |
|--------------------------------|--|---|--|--|-----------------------------|--|-----------------------------|-----------------------------|
| 工作介质/Working Medium | 经40微米过滤的空气/40 Micron Filtered Air | | | | | | | |
| 动作方式/Acting Type | 直动式/Direct Drive acting | | | | | | | |
| 接管口径/Port Size | 进气=排气=排气=G1/8" Air Inlet=Air Outlet =Air Exhaust=G1/8" | 进气=排气=G1/4" Air Inlet=Air Outlet =G1/4" Air Exhaust=G1/8" | 进气=排气=排气=G1/4" Air Inlet=Air Outlet =Air Exhaust=G1/4" | 进气=排气=G3/8" 排气=G1/4" Air Inlet=Air Outlet =G3/8" Air Exhaust=G1/4" | | 进气=排气=排气=G1/2" Air Inlet=Air Outlet =Air Exhaust=G1/2" | | |
| 工作温度/Working Temperature | 0~60℃ | | | | | | | |
| 有效截面积/Effective Sectional Area | 14mm ² (Cv=0.78) | 16mm ² (Cv=0.89) | 12mm ² (Cv=0.67) | 25mm ² (Cv=1.39) | 30mm ² (Cv=1.67) | 18mm ² (Cv=1) | 50mm ² (Cv=2.79) | 30mm ² (Cv=1.68) |
| 工作压力/Working Pressure | 0~0.8Mpa | | | | | | | |

HV系列手转阀 HV Series Hand-Switching Valve

订购代码/Ordering Code

4HV

规格代码
Specification Code
手转阀
Hand-Switching Valve

400

系列代码
Series No
200:200系列
200:200Series
400:400系列
400:400Series

02

接管口径
Joint Pipe Bore
01:G1/8"
02:G1/4"
03:G3/8"
04:G1/2"

B

接管形式
Joint Pipe Type
空白:管接式
Blank:Pipe Connection Type
B:板接式
B:Plate Connection Type



规格/Specification

| 型号/Model | HV200-01 | HV200-02 | HV400-02 | HV400-03 | HV400-04 |
|--------------------------------|-----------------------------------|----------|-----------------------------|----------|----------|
| 工作介质/Working Medium | 经40微米过滤的空气/40 Micron Filtered Air | | | | |
| 位置数/The Position Counting | 三位四通/Three-Position Four-Way | | | | |
| 接管口径/Port Size | G1/8" | G1/4" | G1/4" | G3/8" | G1/2" |
| 工作温度/Working Temperature | 0~60℃ | | | | |
| 有效截面积/Effective Sectional Area | 18mm ² (Cv=1.00) | | 30mm ² (Cv=1.68) | | |
| 工作压力/Working Pressure | 0~0.8Mpa | | | | |

LTS系列手按复位阀 LTS Series Hand Valve

订购代码/Ordering Code

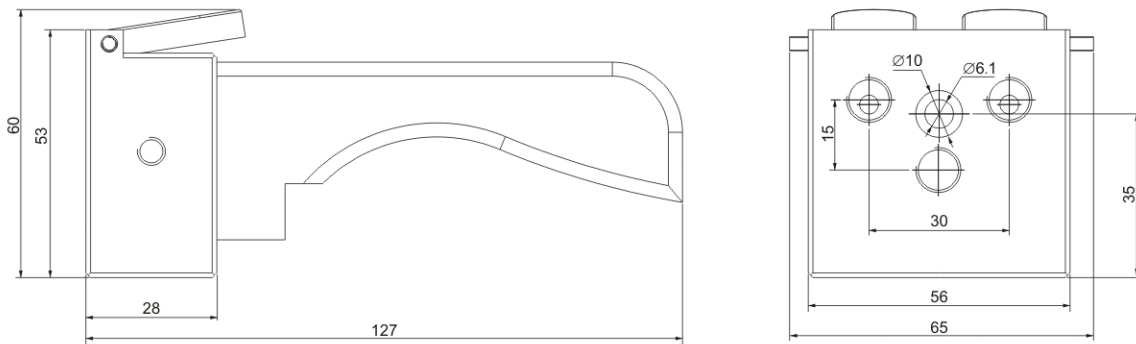
| | | | | |
|----------------------|--------------------|-------------------------|-----------|--------------|
| LT | S | 06 | X2 | NC/NO |
| | | | | |
| 公司名称 Company Name | 系列号 Series Code | 接管口径 Joint Pipe Bore | 双控制 | 常闭/常开 |



规格/Specification

| 型号/Model | LTS06-X2-NC | LTS06-X2-NO |
|----------------------------|-----------------------------------|-------------|
| | 常闭 | 常开 |
| 工作介质/Working Medium | 经40微米过滤的空气/40 Micron Filtered Air | |
| 动作方式/Operating Medium | 手按, 机械自动复位 | |
| 接管口径/Joint Pipe Bore | 进气=出气=排气=G1/8 | |
| 位置数/The Position Counting | 五口二位 Two-Position Five-Way | |
| 工作温度/Operating Temperature | -5~80° (-41~160° F) | |
| 使用压力/Working Pressure | 1.5~8.0Kgf/cm ² | |

外形尺寸图/Overall Dimension Drawing(mm)



4R手拉阀/4R Series Hand-Draw Valve

AA® 订购代码/Ordering Code

| | | | | | | |
|---|---|---|---|--|---|---|
| 4R | — | 2 | — | 10 | — | 06 |
| 规格代码 Specification Code 3R:二位三通 3R:Two-Position Three-Way 4R:二位五通 4R:Two-Position Five-Way | | 系列代码 Series No 1:200系列 1:200Series 2:200系列 2:200Series 3:200系列 3:200Series | | 位置数 Number of Places 10:单头双位置 10:Single-Coil Double-Position | | 接管口径 Port Size 06:G1/8" 08:G1/4" 10:G3/8" 15:G1/2" |



3R210-08

4R210-08

AA® 规格/Specification

| | | | | | | | | |
|--------------------------------|-----------------------------------|--------------|--------------|--------------|----------------------------|--------------|--------------|--------------|
| 型号/Model | 3R(3L)110-06 | 3R(3L)210-08 | 3R(3L)310-10 | 3R(3L)410-15 | 4R(4L)110-06 | 4R(4L)210-08 | 4R(4L)310-10 | 4R(4L)410-15 |
| 工作介质/Working Medium | 经40微米过滤的空气/40 Micron Filtered Air | | | | | | | |
| 位置数/The Position Counting | 二位三通:Two-Position Three-Way | | | | 二位五通:Two-Position Five-Way | | | |
| 工作温度/Working Temperature | 0-60℃ | | | | | | | |
| 接管口径/Port Size | G1/8" | G1/4" | G3/8" | G1/2" | G1/8" | G1/4" | G3/8" | G1/2" |
| 有效截面积/Effective Sectional Area | 16mm ² (Cv=0.89) | | | | | | | |
| 工作压力/Working Pressure | 0-0.8Mpa | | | | | | | |

K25R5-08手拉阀 K25R5-08 Hand-Draw Valve

AA® 订购代码/Ordering Code

| | | | | | | |
|---------------------|---|---|---|--|---|-------------------------------|
| K | — | 25 | — | R5 | — | 08 |
| 系列代码 Series Code | | 位通数 Position and Way Number 25:二位五通 25:Two-Position Five-Way | | 规格代码 Specification Code R5:手拉阀 R5:Hand-Draw Valve | | 接管口径 Port Size 08:G1/4" |



AA® 规格/Specification

| | |
|--------------------------------|-----------------------------------|
| 型号/Model | K25R5-08 |
| 工作介质/Working Medium | 经40微米过滤的空气/40 Micron Filtered Air |
| 接管口径/Port Size | G1/4" |
| 位置数/The Position Counting | 二位五通/Two-Position Five-Way |
| 工作温度/Working Temperature | 0-60℃ |
| 有效截面积/Effective Sectional Area | 16mm ² (Cv=0.89) |
| 工作压力/Working Pressure | 0-0.8Mpa |

FV系列脚踏阀/FV Series Pedal Valve

订购代码/Ordering Code



FV320-08



FV420-08

规格/Specification

| 型号/Model | FV320-06 | FV320-08 | FV420-06 | FV420-08 |
|---------------------------|--|--|--|--|
| 工作介质/Working Medium | 经40微米过滤的空气/40 Micron Filtered Air | | | |
| 接管口径/Port Size | 进气=出气=排气=G1/8" Air Inlet=Air Outlet =Air Exhaust=G1/8" | 进气=出气=G1/4" 排气=G1/8" Air Inlet=Air Outlet =G1/4" Air Exhaust=G1/8" | 进气=出气=排气=G1/8" Air Inlet=Air Outlet =Air Exhaust=G1/8" | 进气=出气=G1/4" 排气=G1/8" Air Inlet=Air Outlet =G1/4" Air Exhaust=G1/8" |
| 动作方式/Acting Type | 直动式/Direct Drive acting | | | |
| 工作温度/Working Temperature | 0~60℃ | | | |
| 位置数/The Position Counting | 二位三通/Two Position Three-Way | | 二位四通/Two Position Four-Way | |
| 工作压力/Working Pressure | 0~0.8Mpa | | | |

4F系列脚踏阀 4F Series Pedal Valve

订购代码/Ordering Code



4F210-08G



4F210-08L



4F210-08

规格/Specification

| 型号/Model | 4F210-08 | 4F210-08L | 4F210-08G | 4F210-08LG |
|---------------------------|---|-----------|-----------|------------|
| 工作介质/Working Medium | 经40微米过滤的空气/40 Micron Filtered Air | | | |
| 动作方式/Acting Type | 直动式/Direct Drive acting | | | |
| 位置数/The Position Counting | 二位五通/Two-Position Five-Way | | | |
| 接管口径/Port Size | 进气=出气=排气=G1/4"/Air Inlet=Air Outlet= Air Exhaust=G1/4 | | | |
| 工作压力/Working Pressure | 0~0.8Mpa | | | |
| 工作温度/Working Temperature | 0~60℃ | | | |

KA系列单向阀/KA Series Non-Return Valve

订购代码/Ordering Code

KA

 系列代码
 Series Code
 KA:单向阀系列
 KA:Non-Return
 Valve Series

06

 接管口径
 Port Size
 M5:M5 20:G3/4"
 06:G1/8" 25:G1"
 08:G1/4" 32:G1 1/4"
 10:G3/8" 40:G1 1/2"
 15:G1/2" 50:G2"

KA-08

KA-15

规格/Specification

| 型号/Model | KA-M5 | KA-06 | KA-08 | KA-10 | KA-15 | KA-20 | KA-25 | KA-32 | KA-40 | KA-50 |
|--------------------------------|-----------------------------------|-------|-------|-------|-------|-------|-------|--------|--------|-------|
| 工作介质/Working Medium | 经40微米过滤的空气/40 Micron Filtered Air | | | | | | | | | |
| 接管口径/Port Size | M5 | G1/8 | G1/4 | G3/8 | G1/2 | G3/4 | G1 | G1 1/4 | G1 1/2 | G2 |
| 工作温度/Working Temperature | 0~60℃ | | | | | | | | | |
| 工作压力/Working Pressure | 0.1~1.0Mpa | | | | | | | | | |
| 最大耐压力/Max. Pressure Resistance | 1.5Mpa | | | | | | | | | |

RE系列单向节流阀 RE Series Flow Control Throttle Valve

订购代码/Ordering Code

RE

 系列代码
 Series Code
 RE系列单向节流阀
 RE Series One-Way
 Throttle Valve

01

 接管口径
 Port Size
 01:G1/8"
 02:G1/4"
 03:G1/8"
 04:G1/2"

RE-01

RE-02

RE-03

规格/Specification

| 型号/Model | RE-01 | RE-02 | RE-03 | RE-04 |
|--------------------------------|-----------------------------------|-------|-------|-------|
| 工作介质/Working Medium | 经40微米过滤的空气/40 Micron Filtered Air | | | |
| 接管口径/Port Size | G1/8" | G1/4" | G3/8" | G1/2" |
| 工作温度/Working Temperature | 0~60℃ | | | |
| 工作压力/Working Pressure | 0.05~1.0Mpa | | | |
| 最大耐压力/Max. Pressure Resistance | 1.5Mpa | | | |

KLA系列单向节流阀/KLA Series Flow Control Throttle Valve

订购代码/Ordering Code

KLA

系列代码
Series Code
KLA:KLA系列单向节流阀
KLA:KLA Series One-Way
Throttle Valve

08

接管口径
Port Size
06:M10x1(G1/8")
08:M12x1.25(G1/4")
10:M16x1.5(G3/8")
15:M20x1.5(G1/2")
20:M27x2(G3/4")
25:M33x2(G1")
32:M42x2(G1 1/4")
40:M48x2(G1 1/2")
50:M60x2(G2")



KLA-08



KLA-15

规格/Specification

| 型号/Model | KLA-06 | KLA-08 | KLA-10 | KLA-15 | KLA-20 | KLA-25 |
|--------------------------------|-----------------------------------|--------|--------|--------|--------|--------|
| 工作介质/Working Medium | 经40微米过滤的空气/40 Micron Filtered Air | | | | | |
| 接管口径/Port Size | G1/8" | G1/4" | G3/8" | G1/2" | G3/4" | G1" |
| 工作温度/Working Temperature | 0~60℃ | | | | | |
| 工作压力/Working Pressure | 0.05~1.0Mpa | | | | | |
| 最大耐压力/Max. Pressure Resistance | 1.5Mpa | | | | | |

KKP系列快排阀 KKP Series Quick Exhaust Valve

订购代码/Ordering Code

KKP

系列代码
Series Code
KKP系列快排阀
KKP Series Quick
Exhaust Valve

08

接管口径
Port Size
06:G1/8"
08:G1/4"
10:G3/8"
15:G1/2"
20:G3/4"
25:G1"
32:G1 1/4"
40:G1 1/2"



KKP-08



KKP-15

规格/Specification

| 型号/Model | KKP-06 | KKP-08 | KKP-10 | KKP-15 | KKP-20 | KKP-25 | KKP-32 | KKP-40 |
|--------------------------------|-----------------------------------|--------|--------|--------|--------|--------|---------|---------|
| 工作介质/Working Medium | 经40微米过滤的空气/40 Micron Filtered Air | | | | | | | |
| 接管口径/Port Size | G1/8" | G1/4" | G3/8" | G1/2" | G3/4" | G1" | G1 1/4" | G1 1/2" |
| 工作温度/Working Temperature | 0~60℃ | | | | | | | |
| 工作压力/Working Pressure | 0.1~0.8Mpa | | | | | | | |
| 最大耐压力/Max. Pressure Resistance | 1.2Mpa | | | | | | | |

KS系列梭阀/KS Series Shuttle Valve

订购代码/Ordering Code

KS

 系列代码
 Series Code
 KS:梭阀系列
 KS:Shuttle Valve Series

06

 接管口径
 Port Size
 M5:M5
 03:M10x1
 06:G1/8"
 08:G1/4"
 10:G3/8"
 15:G1/2"
 20:G3/4"
 25:G1"

KS-M5

KS-08

规格/Specification

| 型号/Model | KS-M5 | KS-03 | KS-06 | KS-08 | KS-10 | KS-15 | KS-20 | KS-25 |
|--------------------------------|-----------------------------------|-------|-------|-------|-------|-------|-------|-------|
| 工作介质/Working Medium | 经40微米过滤的空气/40 Micron Filtered Air | | | | | | | |
| 接管口径/Port Size | M5 | M10x1 | G1/8" | G1/4" | G3/8" | G1/2" | G3/4" | G1" |
| 工作温度/Working Temperature | 0~60℃ | | | | | | | |
| 工作压力/Working Pressure | 0.1~0.8Mpa | | | | | | | |
| 最大耐压力/Max. Pressure Resistance | 1.2Mpa | | | | | | | |

HSV系列手滑阀 HSV Series Slide Valve

订购代码/Ordering Code

HSV

 系列代码
 Series Code

08

 接管口径
 Port Size
 06:PT1/8"
 08:PT1/4"
 10:PT3/8"
 15:PT1/2"
 20:PT3/4"
 25:PT1"

HSV-10

HSV-15

规格/Specification

| 型号/Model | HSV06 | HSV08 | HSV10 | HSV15 | HSV20 | HSV25 |
|---|--------------------------|-------------------------|-------------------------|--------------------------|---------------------------|----------------------------|
| 工作介质/Working Medium | 空气/Air | | | | | |
| 接管口径/Port Size | 06 PT1/8" | 08 PT1/4" | 10 PT3/8" | 15 PT1/2" | 20 PT3/4" | 25 PT1" |
| 有效截面积 (Cv值) / Effective Sectional Area (Cv Value) | 23mm ² (1.28) | 40mm ² (2.2) | 62mm ² (3.5) | 140mm ² (7.8) | 250mm ² (13.8) | 392mm ² (21.78) |
| 工作压力/Working Pressure | 0~1.0Mpa | | | | | |
| 最大耐压力/Max. Pressure Resistance | 15.0Kgf/cm ² | | | | | |
| 工作温度/Working Temperature | -5~60℃ | | | | | |

LT3V1系列电磁阀/LT3V1 Series Solenoid Valve

订购代码/Ordering Code

| | | | | | | |
|----------------------|---|---|---|---|---|---|
| LT | — | 3V1 | — | 06 | — | AC220V |
| 公司名称 Company Name | | 规格 Specification 3V1:二位三通电磁阀 Two-Position Three-Way Solenoid Valve | | 接管口径 Port Size 06:G1/8" 08:G1/4" | | 标准电压 Standard Voltage DC12V DC24V AC24V 50/60HZ AC110V 50/60HZ AC220V 50/60HZ AC380V 50/60HZ |



规格/Specification

| 型号/Model | LT3V1-06 | LT3V1-08 |
|---------------------------------|---------------------------------------|----------|
| 位置数/The Position Counting | 二位三通/Two-position Three-port | |
| 动作方式/Operating Method | 直动式/Direct Drive Type | |
| 接管口径/Port Size | G1/8" | G1/4" |
| 工作介质/Working Medium | 干净的压缩空气/Clean and Filtered Air | |
| 工作压力/Working Pressure | 0.15-0.8Mpa | |
| 工作温度/Working Temperature | -5-50°C | |
| 最高动作频率/Max.Action Frequency | 每秒五次/5Cycle/Sec | |
| 接电方式/Wire Form | 直接出线式或端子式/Lead Wire or Connector Type | |
| 额定电压/Rated Voltage | AC(V)(24,110,220,380),DC(V)(12,24) | |
| 电压范围/Voltage Range | ±15% | |
| 绝缘性/Insulator | F级/F Class | |
| 最短励磁时间/Shortest Excitation Time | 0.05秒/0.05 Second | |

LT2P系列电磁阀 LT2P Series Solenoid Valve

订购代码/Ordering Code

| | | | | | | | | |
|----------------------|---|--|---|--|---|---|---|---|
| LT | — | 2P | — | 025 | — | 06 | — | AC220V |
| 公司名称 Company Name | | 规格代号 Specification Code 2P:二位二通 电磁阀(塑钢型) 2P:Two-Position Two-Way Solenoid Valve Solenoid Valve(Reinforced Plastic Steel Type) | | 流量孔径 Aperture of Flow Rate 025:2.5mm | | 接管口径 Port Size 06:G1/8" 08:G1/4" | | 标准电压 Standard Voltage DC12V DC24V AC24V 50/60Hz AC110V 50/60Hz AC220V 50/60Hz AC380V 50/60Hz |

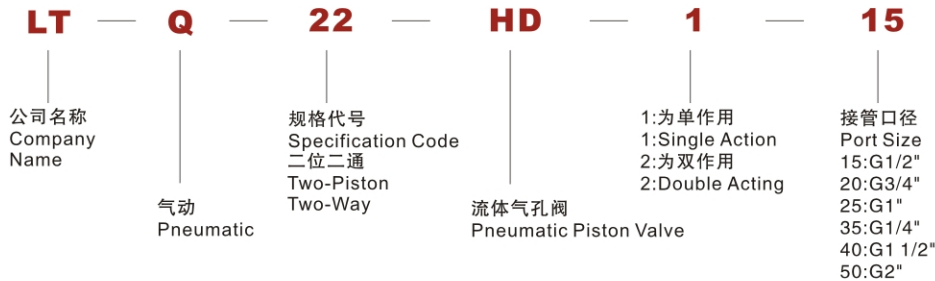


规格/Specification

| 型号/Model | LT2P025-06 | LT2P025-08 |
|---------------------------------|---|------------|
| 工作介质/Working Medium | 空气、水、油/Air, Water, Oil | |
| 动作方式/Motion Pattern | 直动式/Direct Drive Type | |
| 型式/Type | 常闭式/Normal Close Type | |
| 流量孔径mm/Aperture of Flow Rate | 2.5mm | |
| 接管口径/Port Size | G1/8" | G1/4" |
| 使用流体粘滞度/Working Fluid Viscosity | 20CST以下(Below) | |
| 工作压力/Working Pressure | 0~0.8Mpa | |
| 最大耐压力/Max Pressure Resistance | 1.0Mpa | |
| 工作温度/Working Temperature | -5~60°C | |
| 电压范围/Voltage Range | ±10% | |
| 耗电量/Power Consumption | AC:7VA/60Hz 9VA/50Hz DC:6W | |
| 本体材质/Material of Body | 工程塑钢/Engineering Reinforced Plastic Steel | |
| 油封材质/Material of Oil Seal | NBR | |

LTQ22HD系列流体气控阀 LTQ22HD Series Pneumatic Piston Valve

订购代码/Ordering Code

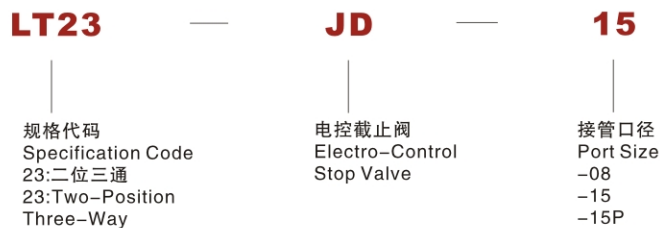


规格/Specification

| 型号/Model | LTQ22HD-15 | LTQ22HD-20 | LTQ22HD-25 | LTQ22HD-35 | LTQ22HD-40 | LTQ22HD-50 |
|------------------------------|----------------------------------|------------|------------|------------|------------|------------|
| 流量孔径/Aperture of Flow Rate | 15mm | 20mm | 25mm | 35mm | 40mm | 50mm |
| 接管口径/Port Size | G1/2" | G3/4" | G1" | G1 1/4" | G1 1/2" | G2" |
| 工作介质/Working Medium | 空气、水、油、液化气/Air, Water, Oil, Gas | | | | | |
| 工作压力/Working Pressure | 0.1-0.8Mpa | | | | | |
| 流体最大使用压力/Max. Fluid Pressure | 1.5Mpa | | | | | |
| 介质温度/Medium Temperature | -5 - 80 °C(更改密封件温度能达到-5 - 150°C) | | | | | |

LT23系列高压电磁阀/LT23 Series High Pressure Solenoid Valve

订购代码/Ordering Code



LT23JD-08



LT23JD-15P

规格/Specification

| 型号/Model | LT23JD-08 | LT23JD-15 |
|--------------------------------|-------------------------|-------------------------|
| 接管口径/Port Size | G1/4" | G1/2" |
| 流量孔径/Aperture of Flow Rate | 8mm | 15mm |
| 工作压力/Working Pressure | 0.3-3.5Mpa | |
| 切换时间/Converting Time | ≤0.04S | ≤0.08S |
| 有效截面积/Effective Sectional Area | ≤20mm ² | ≤60mm ² |
| 环境温度/Environment Temperature | 5-50°C | |
| 工作寿命/Working Life Time | ≤200万次/≤2,000 000 times | ≤150万次/≤1,500 000 times |

802、2630、263海隆系列电磁阀/802、2630、263 Herion Series Solenoid Valve

订购代码/Ordering Code

802

规格代码
Specification Code
802:二位三通电磁阀
802:Two-Position
Three-Way Solenoid
Valve

0

型式/Type
0:常闭型
0:Normal Close Type
1:双电控
1:Double Electro-Control
2:常通
2:Normal Open

750

流量孔径
Aperture or Flow
Rate
750:6mm
850:12mm

B

接管形式
Joint Pipe Form
空白:管接式
Blank:Pipe Connection Type
B:板接式
B:Plate Connection Type



8020750

8022850

2630

规格代码
Specification Code
二位四通电磁阀
Two-Position
Four-Way
Solenoid Valve

60

型式/Type
60:单电控
60:Single Electro-Control
70:双电控
70:Double Electro-Control

0

排气形式
Exhaust Form
0:直接排气
0:Direct Exhaust
1:底板引出排气
1:Soleplate Educing
Exhaust

B

接管形式
Joint Pipe Form
空白:管接式
Blank:Pipe Connection Type
B:板接式
B:Plate Connection Type



2636000

2637050

263

规格代码
Specification Code
263:二位四通电磁阀
263:Two-Position
Five-Way
Solenoid Valve

60

型式/Type
6000:通径6mm单电控
6000:6mm Bore Single Electro-Control
6200:通径6mm双电控
6200:6mm Bore Double Electro-Control
7050:通径12mm单电控
7050:12mm Bore Single Electro-Control
7250:通径12mm双电控
7250:12mm Bore Double Electro-Control

B

接管形式
Joint Pipe Form
空白:管接式
Blank:Pipe Connection Type
B:板接式
B:Plate Connection Type



2636200

2637250

规格/Specification

| 型号/Model | 8020750 | 8022750 | 8021750 | 8021850 | 8022850 | 2630600 | 2636000 | 2636200 | 2637050 | 2637250 |
|--------------------------------------|---|---------|---|-----------------------------|---|----------------------------|---|-----------------------------|---|-----------------------------|
| 工作介质/Working Medium | 经40微米过滤的空气/40 Micron Filtered Air | | | | | | | | | |
| 位置数/The Position Counting | 二位三通/Two-position Three-Way | | | 二位四通/Two-Position Four-Way | | | 二位五通/Two-Position Five-Way | | | |
| 接管口径/Port Size | 进气=出气=G1/4" Air Inlet=Air Outlet =G1/4" | | 进气=出气=G1/2" Air Inlet=Air Outlet =G1/2" | | 进气=出气=排气=G1/8" Air Inlet=Air Outlet = Air Exhaust=G1/8" | | 进气=出气=G1/4" Air Inlet=Air Outlet =G1/4" | | 进气=出气=G1/2" Air Inlet=Air Outlet =G1/2" | |
| 工作温度/Working Temperature | -5~50°C(41~122° F) | | | | | | | | | |
| 有效截面积/Effective Sectional Area | 10mm ² (Cv=0.56) | | | 40mm ² (Cv=2.23) | | 4mm ² (Cv=0.23) | | 10mm ² (Cv=0.56) | | 40mm ² (Cv=2.23) |
| 工作压力/Working Pressure | 0.15~1.0Mpa | | | | | | | | | |
| 最大耐压/Max.Pressure Resistance | 1.2Mpa | | | | | | | | | |
| 绝缘性及保护等级 Insulation&Protection Class | F级/FCClass /IP65(DIN40050) | | | | | | | | | |
| 接线形式/Wire Form | 出线式或端子式/Lead Wire or Connector Type | | | | | | | | | |
| 电压范围/Voltage Range | ±10% | | | | | | | | | |

Q系列电磁阀/Q Series Solenoid Valve

规格/Specification

该系列电磁阀通常作为先导控制和直接控制气动执行元件具有体积小、重量轻、外形美观、动作频率高、使用寿命长等特点。功能细分为二位二通和二位三通,安装方式有管接式,板接式和串接集成式三种。

- 接管口径:M10X1,G1/8"
- 使用压力:0.15~0.8Mpa
- 适用温度: -5~50°C

Q Series Solenoid Valve Usually Control the Execution Element by Guide and Direct Control. Small and Light Fine Appearance High Operating Frequency、Long Operating Life,etc. In general It has Two Position TwoWay and Two Position Three Way, It has Three Kinds of Mounting. Type:Pipe Joint Type,Namur Type, Series Connection Type.

- Port Size:M10X1,G1/8"
- Working Pressure Range:0.15~0.8Mpa
- Working Temperature: -5~50°C



Q23XD-1.5L



Q23XD-2L.B.T

规格/Specification

该系列电磁阀是上海联合设计型,采用隔套式滑阀结构,具有性能可靠,密封件磨损能自动补偿,使用寿命长,流量大,底板接管结构,便于安装和维修等特点。控制方式细分为单、双电控、从两端盖引入的单、双气控和方、圆先导阀控制。

- 接管口径:M10X1,G1/8"
- 使用压力:0.15~0.8Mpa
- 适用温度: -5~50°C

Q Series Solenoid Valve is Designed by Shanghai Lianhe Reliable Performance, The Seal Abrasion can automatically compensate Long Operating Life, Big Flow, Soleplate Pipe Connection Type, Convenient Installation and Maintenance, etc. It has Many Kinds of Control Mode: Single or Double Electronic Control, Single or Double Air Control, Square or Round Pilot Valve Control.

- Port Size: M10X1,G1/8"
- Working Pressure Range: 0.15~0.8Mpa
- Working Temperature: -5~50°C



Q24DH-8



Q24D2H-8



Q24DH-15



Q24D2H-15

K系列电磁阀/K Series Solenoid Valve

规格/Specification

该系列电磁阀是机械工业部联合设计型,采用隔套式润滑结构具有性能可靠,密封件磨损能自动补偿,使用寿命长,流量比Q系列更大底板接管结构,便于安装和维修等特点。功能细分为二位五通和三位五通,控制方式细分为单、双电控和从底板引入的单、双气控。

- 接管口径:G1/8"~G1/2"
- 使用压力:0.15~0.8Mpa
- 适用温度: -5~50°C

K Series Solenoid Valve is Jointly Designed with Ministry of Machine-Building Industry.It Adopts Slide Valve Structure of Spacer Bush. Reliable Performance, The Seal Abrasion can automatically compensate,Long Operating Life,Flow Rate is Bigger than Q Series Solenoid Valve,Soleplate Pipe Connection Type, Convenient Installation and Maintenance,etc. It has Two Position Five Way and Three Position Five Way Functions, It has Many Kinds of Control Mode: Single or Double Electronic Control, Single or Double Air Control.

- Port Size:G1/8"~G1/2"
- Working Pressure Range:0.15~0.8Mpa
- Working Temperature: -5~50°C



K25DH-8



K35D₂H-8



K25D₂H-15



K35D₂H-15

规格/Specification

该系列电磁阀是机械工业部联合设计型,采用截止式结构,具有性能可靠,抗尘能力强,使用寿命长,流量大,底板接管结构,便于安装和维修等特点。功能细分为二位三通,控制方式细分为电控和气控,尤其适用于粉尘环境中的气动系统。

- 接管口径:G1/8"~G1"
- 使用压力:0.15~0.8Mpa
- 适用温度: -5~50°C

K Series Cut-off Solenoid Valve is Jointly Designed with Ministry of Machine-Building Industry.It Adopts Cut-off Structure. Reliable Performance,Strong Antidusting Ability, Long Operating Life,Big Flow,Soleplate Pipe Connection Type, Convenient Installation and Maintenance,etc.It has Two Position Three Way Functions, It has Electronic and Air Control Mode. It is Suitable for Pneumatic System of Dust Atmosphere .

- Port Size:G1/8"~G1"
- Working Pressure Range:0.15~0.8Mpa
- Working Temperature: -5~50°C



K23JD-8



K25JD-15